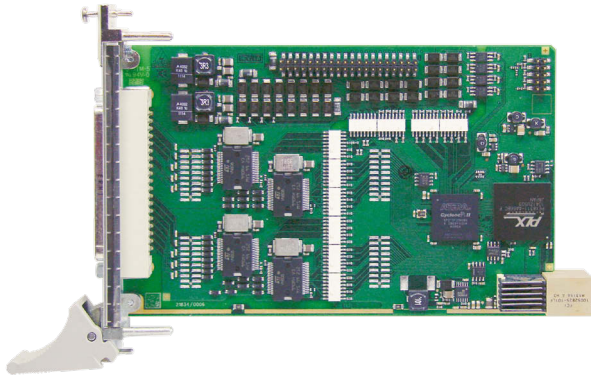


# Digital I/O board, optically isolated, 64 digital inputs and outputs, 24 V, for CompactPCI Serial

**NEW\***



## CPCIs-1564

### CompactPCI Serial interface

32 digital inputs, 24 V,  
including 16 interruptible inputs

32 digital outputs, 24 V, 500 mA/channel

Optical isolation 1000 V

Input and output filters

Connection through industry-standard  
D-Sub connector

Extended temperature range -40 °C to +85 °C



Also for **PCI EXPRESS**  
See APCIe-1564, page 124

Also for **PCI**  
See APCI-1564, page 150

Also for **CompactPCI™**  
See CPCI-1564, page 232

## Features

### Inputs

- 32 optically isolated inputs, 24 V, incl. 16 interruptible inputs
- Channels 0–2 can be used as 32-bit counter inputs (up to 500 kHz)
- Reverse voltage protection
- All inputs are filtered

### Outputs

- 32 optically isolated outputs, 11 to 36 V
- Output current per channel 500 mA
- Total current: 3 A typ. (fused through PTC resistor)
- Watchdog for resetting the outputs to "0"
- At Power-On, reset of the outputs to "0"
- Current limit: ~1.5 A per 8 channels (through PTC)
- Short-circuit current per output ~1.5 A typ.
- Self-resetting fuse (electronic fuse)
- Overtemperature and overvoltage protection
- 24 V power outputs with protection diodes and filters
- Ext. 24 V voltage supply screened and filtered
- Shutdown logic, when the external supply voltage drops below 7 V

### Timer / Watchdog / Counter

- 2 timers (12-bit), of which one can be used as a watchdog
- 3 counter (32-bit)

### Safety features

- Optical isolation 1000 V
- Creeping distance IEC 61010-1
- Protection against fast transients (burst), overvoltage, electrostatic discharge and high-frequency EMI
- Separate ground line for inputs and outputs

## Applications

- Industrial I/O control
- PLC coupling
- Signal switching
- Interface to electromechanical relays
- Automatic test equipment
- ON/OFF monitoring of motors, lights...
- Watchdog/timer
- ...

## Software drivers

A CD-ROM with the following software and programming samples is supplied with the board.

### Standard drivers for:

- Linux
- 32-bit drivers for Windows 8 / 7 / Vista / XP / 2000
- Signed 64-bit drivers for Windows 8 / 7 / XP
- Real-time use with Linux and Windows on request

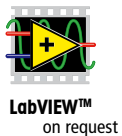
### Drivers and samples for the following compilers and software packages:

- C#.NET, C

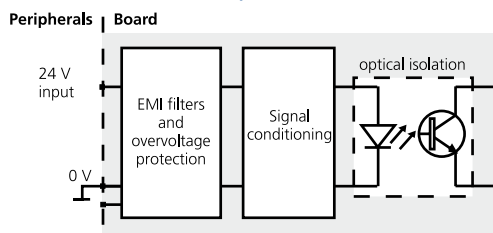
### On request:

Further operating systems, compilers and samples.

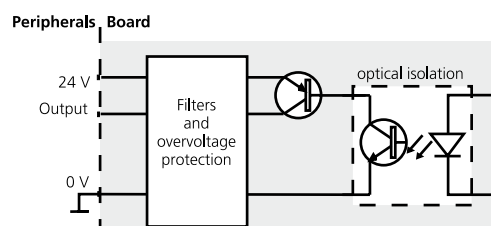
Driver download: [www.addi-data.com/downloads](http://www.addi-data.com/downloads)



## Protective circuit for the input channels



## Protective circuit for the output channels



\* Preliminary product information

## Specifications\*

### Digital inputs

Number of inputs: (common ground acc. to IEC 1131-2)	32 digital inputs, channel 0-2 can be used as 32-bit counter inputs (up to 500 kHz)		
Interruptible inputs:	16 channels (channel 4 to 19)		
Optical isolation:	1000 V through opto-couplers, from PC to peripheral		
Nominal voltage:	24 V		
Input current:	Channel 0-3:	6.6 mA	at 24 V, typical
	Channel 4-31:	2 mA	at 24 V, typical
Input frequency (max.):	Channel 0-2:	500 kHz	at 24 V
	Channel 3-31:	5 kHz	at 24 V
Logic input levels:	UH (max.):	30 V / 3.1 mA, typical (channel 4-31)	
	UH (min.):	19 V / 1 mA, typical (channel 4-31)	
	UH (max.):	30 V / 11 mA, typical (channel 0-3)	
	UH (min.):	19 V / 3.4 mA, typical (channel 0-3)	
	UL (max.):	14 V / 0.1 mA, typical	
	UL (min.):	0 V / 0 mA, typical	
Filters/protective circuit:	Input filters, transil diode, RC filters, Z diode, opto-couplers		

### Digital outputs

Number of outputs:	32 digital outputs		
Output type:	High-side (load to ground) acc. to IEC 1131-2		
Optical isolation:	1000 V (through opto-couplers), from PC to peripheral		
Nominal voltage:	24 V		
Supply voltage range:	11 to 36 V		
Current limit:	1.5 A per 8 channels (through PTC)		
Output current per output:	500 mA (typical)		
Short-circuit current per output:	1.5 A (typ.) pulse current shutdown at 24 V, $R_{load} < 0.1 \Omega$		
RDS ON resistance:	0.2 $\Omega$ at 25 °C		
Switch-on time:	$t_{out} = 0.5 \text{ A}$ , load = resistance: 50 $\mu\text{s}$		
Switch-off time:	$t_{out} = 0.5 \text{ A}$ , load = resistance: 75 $\mu\text{s}$		
Overtemperature (shutdown):	135 °C (output driver)		
Temperature hysteresis:	15 °C (output driver)		

### Timer/watchdog

Timer:	2 x 12-bit, 1 x programmable as watchdog from 1 $\mu\text{s}$ to 4095 s
--------	---

### Safety

Shutdown logic ( $V_{CC}$ diagnostic):	When the ext. 24 V voltage drops below 7 V, the outputs are switched off.
Watchdog:	For resetting the outputs to "0"
Common diagnostics:	For all 16 channels at overtemperature of one channel

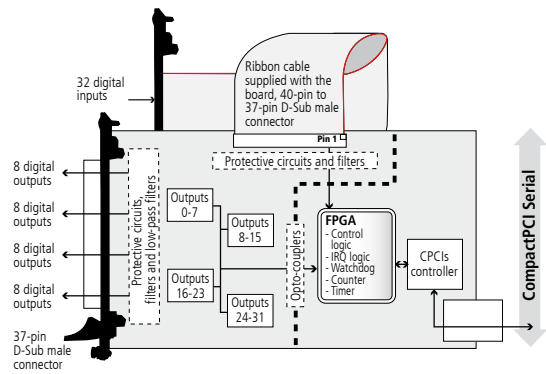
### EMC – Electromagnetic compatibility

The product complies with the European EMC directive. The tests were carried out by a certified EMC laboratory in accordance with the norm from the EN 61326 series (IEC 61326). The limit values as set out by the European EMC directive for an industrial environment are complied with. The respective EMC test report is available on request.

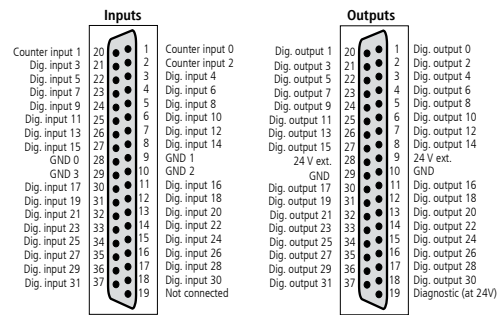
### Physical and environmental conditions

Dimensions:	160 x 100 mm
System bus:	PCI Express according CompactPCI Serial specification PICMG CPCI-S.0 R1.0
Space required:	1 x CompactPCI Serial slot
Operating voltage:	+12 V, $\pm 5 \%$
Current consumption:	in preparation
Front connector:	37-pin D-Sub male connector
Temperature range:	from -40 °C to +85 °C
MTBF	in preparation

### Simplified block diagram



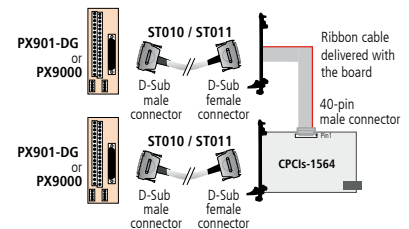
### Pin assignment – 37-pin D-Sub male connector



### ADDI-DATA connection

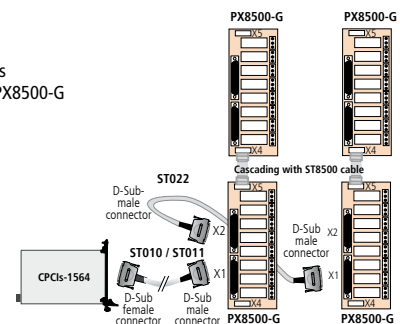
#### Example 1:

- Connection of the inputs (ribbon cable)
- Connection of the outputs through screw terminal panel PX901-DG or PX9000



#### Example 2:

- Connection of the outputs with relay output board PX8500-G cascaded in 32 relays



### Ordering information

#### CPCIs-1564

Digital I/O board, optically isolated, 64 digital inputs and outputs, 24 V, for CompactPCI Serial. Incl. technical description and software drivers.

#### Accessories

- PX901-D:** Screw terminal panel, LED status display
- PX901-DG:** Screw terminal panel, LED status display, for DIN rail
- PX9000:** 3-row screw terminal panel for DIN rail, with LED status display
- PX8500-G:** Relay output board for DIN rail, cascadable

- ST010:** Standard round cable, shielded, twisted pairs, 2 m
- ST011:** Standard round cable, shielded, twisted pairs, 5 m
- ST010-S:** Same as ST010, for high currents
- ST022:** Round cable between PX8500-G and PX901 or PX9000, shielded, 2 m
- ST8500:** Ribbon cable for cascading two PX8500-G

\* Preliminary product information