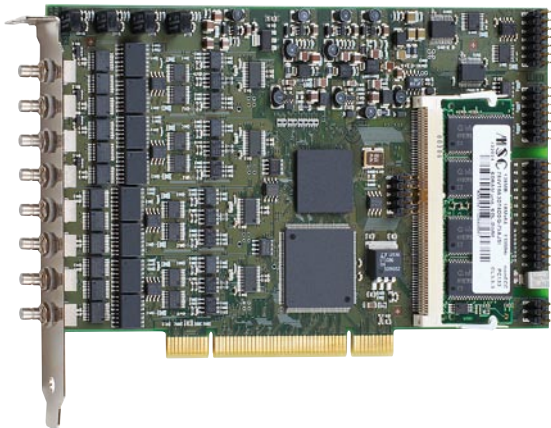


Noise and vibration measurement board, optically isolated, multifunction board, 8 analog inputs, 24-bit



APCI-3600, APCI-3600-L

8 SE/diff. (+/-) inputs,
simultaneous sampling

Connection through SMB co-axial connectors

Onboard power supply for ICP™ sensors

4 chronometer inputs (RS485)

2 analog outputs

8 digital inputs, 8 digital outputs

Onboard SDRAM module

Acoustic processes in test applications are not limited to simple noise and vibration measurements.

The multifunction PCI board APCI-3600 by ADDI-DATA offers a PC-based solution to almost all additional measuring tasks which may arise thanks to its many functions.

- 8 analog input channels through SMB co-axial connectors
- Counter function: 4 chronometer inputs (up to 1 MHz 32-bit depth) allow applications in which precise coordinates must be determined.
- Current supply of the ICP™ sensors
- Synchronous mode (cascading) of several APCI-3600 through Master/Trigger
- Digital I/O
- SDRAM memory module allows transfer rates up to 24 MByte/s.

For a fast integration of the board in special test devices, the board is supplied with drivers and samples.

Features

Analog inputs (for all versions)

- 8 SE or diff. (+/-) inputs
- Sampling rate can be set between 2 and 200 kHz
- SNR (signal/noise ration) > 105 dB
- 24-bit resolution
- One A/D converter per channel: simultaneous acquisition on all analog inputs
- Gain 1 to 10, software-programmable
- Input coupling AC, DC, GND, software-programmable for each channel
- Antialiasing filter to avoid sampling errors
- Overvoltage protection

Current sources

- 8 current sources for the direct connection of ICP™ sensors (integrated circuit piezoelectric)
- 4 mA typ., 24 V max.

Chronometer inputs (only for version APCI-3600)

- 4 chronometer inputs, RS485, 32-bit for revolution counting
- 2 gate inputs

Analog outputs (only for version APCI-3600)

- 2 analog outputs: both outputs are started synchronously with the A/D converter. Arbitrary function generators can be programmed.
- Settling time: 5 μ s
- 16-bit resolution
- Simultaneous sampling on both channels
- 13-bit accuracy
- DAC type: R-2R
- Output range: ± 10 V

Digital (only for version APCI-3600)

- 8 digital inputs, 24 V, optically isolated
- 8 digital outputs, 24 V, optically isolated

Onboard SDRAM module

- 128 MB (256 MB or 512 MB on request)

Applications

The following applications can be realised with the

APCI-3600:

- Noise measurement with fault diagnosis on gear and drive over FFT: Encoders are connected to the chronometer inputs and microphones are connected to the analog inputs. Encoders measure the position of the drive and the analog inputs measure the noise of the system at a specific position. For this purpose the analog inputs and the chronometer inputs are controlled synchronously. To each analog sample belongs a position of the chronometer. The synchronisation results from a FFT.
- Measurement of the transfer function of a DUT ("Device Under Test").
- Noise analysis: Evaluation of a washing machine, measurements in the automotive field, etc.

Software

Standard drivers for:

- Linux
- 32-bit drivers for Windows 8 / 7 / Vista / XP / 2000
- Signed 64-bit drivers for Windows 8 / 7 / XP
- Real-time use with Linux and Windows on request

Samples for the following compilers:

Visual C++ • Borland C

Driver download: www.addi-data.com, download menu

 32-bit



Signed 64-bit drivers for
Windows 7/XP



On request



Customer-tailored

modifications

designed to suit
your needs.

Hardware and software,
firmware, PLDs, ...

Contact us!

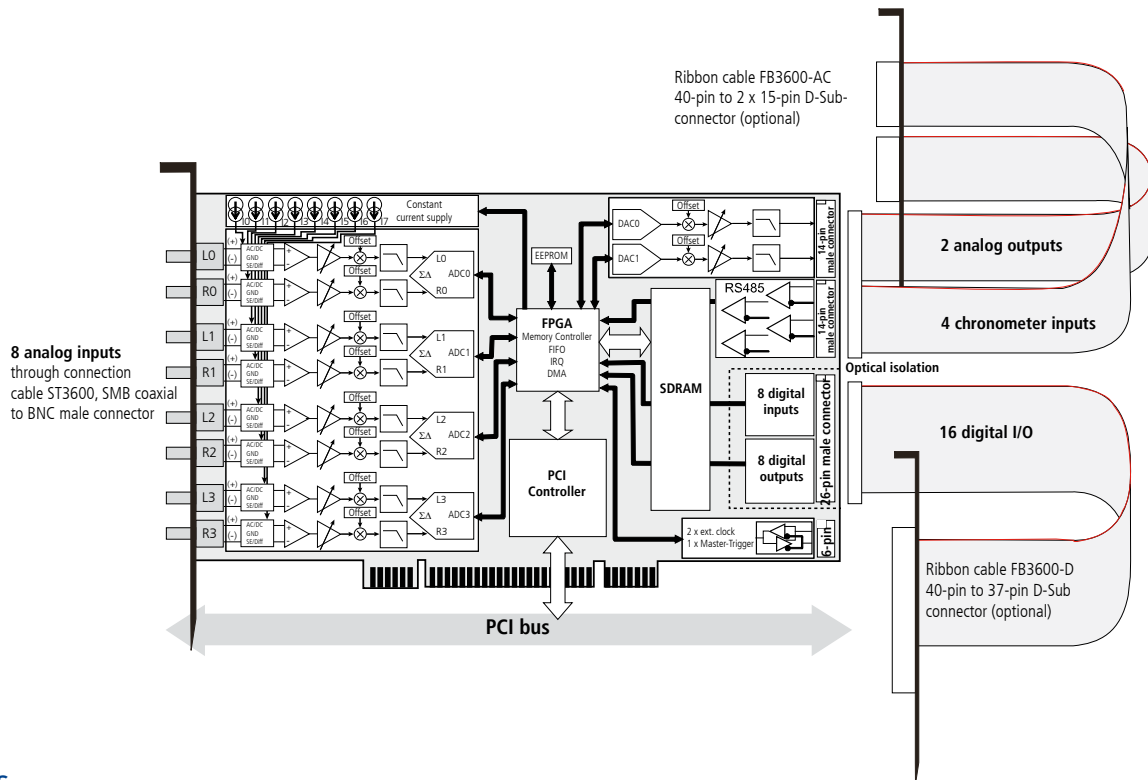
*Preliminary
product information

Phone: +49 7229 1847-0
Fax: +49 7229 1847-222

info@addi-data.com
www.addi-data.com

ADDI-DATA
SPIRIT OF EXCELLENCE 

Simplified block diagram



Versions

	8 analog inputs	8 ICP power supply (current sources)	4 chronometer inputs	2 analog outputs	8 digital inputs, 24 V, optically isolated	8 digital outputs, 24 V, optically isolated	Onboard SD RAM
APCI-3600	✓	✓	✓	✓	✓	✓	✓
APCI-3600-L	✓	✓					✓

Specifications*

Analog inputs

Number:	8																																													
Input type:	Single-ended or differential through software																																													
Resolution:	24-bit																																													
A/D Converter:	Delta-Sigma, 5th order, multibit Delta-Sigma modulator																																													
Gain:	x1, x10 software programmable																																													
Input ranges:	Gain x1 ± 10 V single-ended Gain x1 ± 5 V differential Gain x10 ± 1 V single-ended Gain x10 ± 0.5 V differential																																													
Sampling rate f_s :	2 kHz ≤ f_s ≤ 200 kHz selectable through software																																													
Selectable frequencies:	<table border="1"> <tr> <td>2 kHz ≤ f_s ≤ 50 kHz</td> <td>50 kHz ≤ f_s ≤ 100 kHz</td> <td>100 kHz ≤ f_s ≤ 200 kHz</td> </tr> <tr> <td>50000 Hz</td> <td>100000 Hz</td> <td>200000 Hz</td> </tr> <tr> <td>40000 Hz</td> <td>80000 Hz</td> <td>160000 Hz</td> </tr> <tr> <td>33333 Hz</td> <td>66667 Hz</td> <td>133333 Hz</td> </tr> <tr> <td>25000 Hz</td> <td>50000 Hz</td> <td>100000 Hz</td> </tr> <tr> <td>20000 Hz</td> <td></td> <td></td> </tr> <tr> <td>16667 Hz</td> <td></td> <td></td> </tr> <tr> <td>12500 Hz</td> <td></td> <td></td> </tr> <tr> <td>10000 Hz</td> <td></td> <td></td> </tr> <tr> <td>8000 Hz</td> <td></td> <td></td> </tr> <tr> <td>5000 Hz</td> <td></td> <td></td> </tr> <tr> <td>4000 Hz</td> <td></td> <td></td> </tr> <tr> <td>3333 Hz</td> <td></td> <td></td> </tr> <tr> <td>2500 Hz</td> <td></td> <td></td> </tr> <tr> <td>2000 Hz</td> <td></td> <td></td> </tr> </table>	2 kHz ≤ f_s ≤ 50 kHz	50 kHz ≤ f_s ≤ 100 kHz	100 kHz ≤ f_s ≤ 200 kHz	50000 Hz	100000 Hz	200000 Hz	40000 Hz	80000 Hz	160000 Hz	33333 Hz	66667 Hz	133333 Hz	25000 Hz	50000 Hz	100000 Hz	20000 Hz			16667 Hz			12500 Hz			10000 Hz			8000 Hz			5000 Hz			4000 Hz			3333 Hz			2500 Hz			2000 Hz		
2 kHz ≤ f_s ≤ 50 kHz	50 kHz ≤ f_s ≤ 100 kHz	100 kHz ≤ f_s ≤ 200 kHz																																												
50000 Hz	100000 Hz	200000 Hz																																												
40000 Hz	80000 Hz	160000 Hz																																												
33333 Hz	66667 Hz	133333 Hz																																												
25000 Hz	50000 Hz	100000 Hz																																												
20000 Hz																																														
16667 Hz																																														
12500 Hz																																														
10000 Hz																																														
8000 Hz																																														
5000 Hz																																														
4000 Hz																																														
3333 Hz																																														
2500 Hz																																														
2000 Hz																																														

Oversampling:	64 x f_s (for sampling rate f_s)						
Frequency precision:	± 50 ppm						
FIFO depth:	128 DWORD, for the right and the left channel of the same ADC						
Data transfer:	DMA, I/O, IRQ						
Transmission ripple (rel. to 1 kHz), max., DC-coupled:	<table border="1"> <tr> <td>2 kHz ≤ f_s ≤ 50 kHz:</td> <td>-0.1dB, DC to 0.47 x f_s</td> </tr> <tr> <td>50 kHz ≤ f_s ≤ 100 kHz:</td> <td>-0.1dB, DC to 0.45 x f_s</td> </tr> <tr> <td>100 kHz ≤ f_s ≤ 200 kHz:</td> <td>-0.1dB, DC to 0.24 x f_s</td> </tr> </table>	2 kHz ≤ f_s ≤ 50 kHz:	-0.1dB, DC to 0.47 x f_s	50 kHz ≤ f_s ≤ 100 kHz:	-0.1dB, DC to 0.45 x f_s	100 kHz ≤ f_s ≤ 200 kHz:	-0.1dB, DC to 0.24 x f_s
2 kHz ≤ f_s ≤ 50 kHz:	-0.1dB, DC to 0.47 x f_s						
50 kHz ≤ f_s ≤ 100 kHz:	-0.1dB, DC to 0.45 x f_s						
100 kHz ≤ f_s ≤ 200 kHz:	-0.1dB, DC to 0.24 x f_s						
-3 dB bandwidth:	<table border="1"> <tr> <td>2 kHz ≤ f_s ≤ 50 kHz:</td> <td>0.5 x f_s</td> </tr> <tr> <td>50 kHz ≤ f_s ≤ 100 kHz:</td> <td>0.5 x f_s</td> </tr> <tr> <td>100 kHz ≤ f_s ≤ 200 kHz:</td> <td>0.358 x f_s</td> </tr> </table>	2 kHz ≤ f_s ≤ 50 kHz:	0.5 x f_s	50 kHz ≤ f_s ≤ 100 kHz:	0.5 x f_s	100 kHz ≤ f_s ≤ 200 kHz:	0.358 x f_s
2 kHz ≤ f_s ≤ 50 kHz:	0.5 x f_s						
50 kHz ≤ f_s ≤ 100 kHz:	0.5 x f_s						
100 kHz ≤ f_s ≤ 200 kHz:	0.358 x f_s						
Input coupling:	AC, DC, GND, selectable through software						
AC -3dB limit frequency:	1.6 Hz						
Overtoltage protection:							
R1-, L1-, R2-, L2-, L/R3+, L/R4+							
Max. direct current:	± 12 V, ± 200 mA						
Max. peak current (Impuls at 1 ms, 10% duty cycle):	± 12 V, ± 300 mA						
R1+, L1+, R2+, L2+							
Max. direct current:	± 36 V, ± 30 mA						
Max. peak current (pulse at 1 ms, 10% duty cycle):	± 36 V, ± 70 mA						
ESD protection:	> 2 kV, ESD protection through method 3015.17						

* Preliminary product information

Specifications*

Analog inputs (continued)

Dynamic properties

2 kHz ≤ f_S ≤ 50 kHz:

Passband:	DC (0Hz) up to 0.47 x f _S , min. to max.
Stopband:	0.58 x f _S min
Stopband attenuation:	-95 dB min
Total group delay:	12/f _S s typical

50 kHz ≤ f_S ≤ 100 kHz:

Passband:	DC (0Hz) up to 0.45 x f _S , min. to max.
Stopband:	0,68 x f _S min
Stopband attenuation:	-92 dB min
Total group delay:	9/f _S s typical

100 kHz ≤ f_S ≤ 200 kHz:

Passband:	DC (0Hz) up to 0.24 x f _S , min. to max.
Stopband:	0.78 x f _S min
Stopband attenuation:	-97 dB min
Total group delay:	5/f _S s typical

Dynamic range SNR

2 kHz ≤ f _S ≤ 50 kHz:	< -105 dB (short input gain x1) < -100 dB (short input gain x10) < -80 dB (open input gain x1) < -60 dB (open input gain x10)
50 kHz ≤ f _S ≤ 100 kHz:	< -105 dB (short input gain x1) < -100 dB (short input gain x10) < -80 dB (open input gain x1) < -60 dB (open input gain x10)
100 kHz ≤ f _S ≤ 200 kHz:	< -75 dB (short input gain x1) < -75 dB (short input gain x10) < -75 dB (open input gain x1) < -60 dB (open input gain x10)

Crosstalk

Between channel R0 and L0, R1 and L1, R2 and L2, R3 and L3, Gain x1:

Short input at f_{in} = 100 Hz

2 kHz ≤ f _S ≤ 50 kHz:	< -95 dB
50 kHz ≤ f _S ≤ 100 kHz:	< -95 dB
100 kHz ≤ f _S ≤ 200 kHz:	< -70 dB

Short input at f_{in} = 1 kHz

2 kHz ≤ f _S ≤ 50 kHz:	< -95 dB
50 kHz ≤ f _S ≤ 100 kHz:	< -95 dB
100 kHz ≤ f _S ≤ 200 kHz:	< -70 dB

1 kΩ load at f_{in} = 100 Hz

2 kHz ≤ f _S ≤ 50 kHz:	< -95 dB
50 kHz ≤ f _S ≤ 100 kHz:	< -95 dB
100 kHz ≤ f _S ≤ 200 kHz:	< -70 dB

1 kΩ load at f_{in} = 1 kHz

2 kHz ≤ f _S ≤ 50 kHz:	< -95 dB
50 kHz ≤ f _S ≤ 100 kHz:	< -95 dB
100 kHz ≤ f _S ≤ 200 kHz:	< -70 dB

Phase error

between channel R0 and L0, R1 and L1, R2 and L2, R3 and L3

At f _S = 200 kHz	0.3° max.
	0.2° at f _{in} = 10 kHz sinus signal
	0.02° at f _{in} = 1 kHz sinus signal

Amplitude error

± 0,02 dB max., at f_{in} = 1 kHz sinus signal
(Gain x1 and x10)

Offset error

± 200 μV, max. at f_S = 2 kHz

Analog outputs

Number of outputs:	2
Resolution / accuracy:	16-bit / 13-bit
DAC type:	R-2R
Output range:	± 10 V
Settling time: 10 V step, RL = 2 k, CL = 1500 pF	
	± 0.1%: 5 μs typical
	± 0.01%: 5.6 μs typical
Overvoltage protection:	± 12 V, 100 mA max. direct current
Short-circuit current:	± 45 mA typical
Output voltage after reset:	0 V
FIFO depth:	256 Word
Data transfer:	DMA, I/O, IRQ

Digital inputs

Number of inputs:	8
Filters/protective circuit:	Low-pass/transorb diode
Optical isolation:	1000 V
Nominal voltage:	24 V external
Input voltage:	0 up to 30 V
Input current:	7 mA at 24 VDC, typical
Logic input levels:	UH (max.): 30 V UH (min): 19 V UL (max.): 14 V UL (min): 0V
Input frequency (max.):	5 kHz at 24 V
Trigger input:	Digital input 0

Digital outputs

Number outputs:	8, open collector
Optical isolation:	1000 V
Nominal voltage:	24 V
Supply voltage:	5-30 V
Output current per output:	50 mA max.
Total current:	300 mA limited through PTC
Switch-on time:	0.25 μs typical
Switch-off time:	0.25 μs typical

Current sources

Number: 8 constant current sources for the power supply of the ICP™ sensors, 4 mA typical, 24 V max.

Chronometer

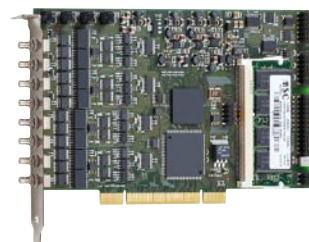
Number:	4 x chronometer, 2 x gate on chronos 1+2
Input type:	RS485
Max. speed:	1 MHz max.
Counting depth:	32-bit
Divisor:	From 2 ⁰ to 2 ¹⁵ per chronometer
FIFO depth:	256 DWORD
Data transfer:	DMA, I/O, IRQ
Differential threshold voltage:	-200 mV min -50 mV max.
Input resistance:	120 differential
ESD protection:	±15 kV Human Body Model

EMC – Electromagnetic compatibility

The product complies with the European EMC directive. The tests were carried out by a certified EMC laboratory in accordance with the norm from the EN 61326 series (IEC 61326). The limit values as set out by the European EMC directive for an industrial environment are complied with. The respective EMC test report is available on request.

Physical and environmental conditions

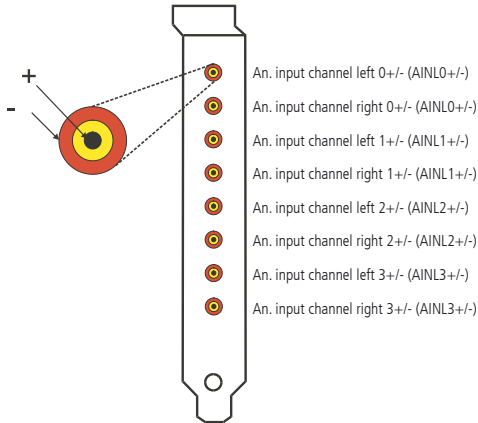
Dimensions:	175 x 99 mm
System bus:	PCI 32-bit 3.3/5 V acc. to spec. 2.2 (PCISIG)
Space required:	1 PCI slot for the analog inputs 1 slot opening for digital inputs and outputs 1 slot opening for chronometer and analog outputs
Operating voltage:	+5 V, ±5 % from the PC
Front connector:	8 SMB co-axial connector on bracket
Additional connector:	• 37-pin D-Sub connector for digital I/O • 15-pin D-Sub connector for chronometer inputs • 15-pin D-Sub connector for analog outputs
Temperature range:	0 to 60 °C (with forced cooling)



* Preliminary product information

Phone: +49 7229 1847-0 info@addi-data.com
Fax: +49 7229 1847-222 www.addi-data.com

Connection of 8 analog inputs on front connector



Pin assignment of the chronometer and analog outputs (ribbon cable FB3600-AC)

Male connector analog outputs

DAC0	1	2	GND 0
GND0	3	4	GND 0
DAC1	5	6	GND 1
GND1	7	8	GND 1
Not connected	9	10	Not connected
Not connected	11	12	Not connected
Not connected	13	14	Not connected

Ribbon cable FB3600-AC

Chrono 0+	1	2	Chrono 0-
Chrono 1+	3	4	Chrono 1-
Chrono 2+	5	6	Chrono 2-
Chrono 3+	7	8	Chrono 3-
Gate 0+	9	10	Gate 0-
Gate 1+	11	12	Gate 1-
GND	13	14	GND

Male connector Chronometer

Bracket ribbon cable FB3600-AC

15-pin female connector

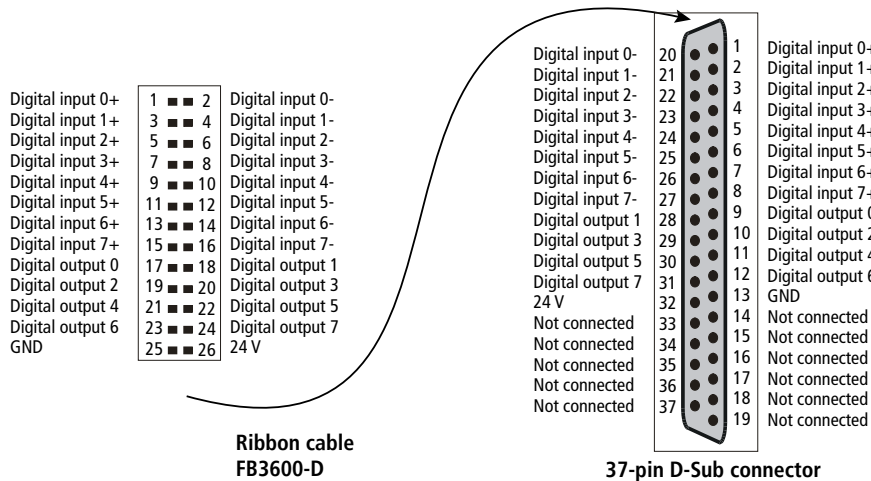
GND 0	15	8	DAC0
GND 0	14	7	GND0
GND 1	13	6	DAC1
GND 1	12	5	GND1
Not connected	11	4	Not connected
Not connected	10	3	Not connected
Not connected	9	2	Not connected
Not connected	1	1	Not connected

15-pin male connector

Chrono 0-	9	1	Chrono 0+
Chrono 1-	10	2	Chrono 1+
Chrono 2-	11	3	Chrono 2+
Chrono 3-	12	4	Chrono 3+
Gate 0-	13	5	Gate 0+
Gate 1-	14	6	Gate 1+
GND	15	7	GND
		8	Not connected

Pin assignment of the digital inputs and outputs

26-pin male connector on separate 37-pin D-Sub-male connector (ribbon cable FB3600-D)



Ordering information

APCI-3600

Noise and vibration measurement board, optically isolated, 24-bit, multifunction board, 8 analog inputs, 8 current sources..., antialiasing filter. Incl. technical description and software drivers.

Versions

- APCI-3600:** 8 analog inputs, 8 current sources for connecting ICP™ sensors, 2 analog outputs, 4 chronometer inputs, 8 digital inputs, 8 digital outputs, 128 MBytes SDRAM
- APCI-3600-L:** 8 analog inputs, 8 current sources for connecting ICP™ sensors, 128 MBytes SDRAM

Accessories

- ST3601:** Connection cable, 2 m
SMB co-axial female connector on BNC male connector
- ST3600:** Connection cable, 2 m (ST3600 = 8 x ST3601)
- FB3600-D:** Ribbon cable for connecting the digital I/O on separate bracket, 30 cm
- FB3600-AC:** Ribbon cable for connecting the chronometer and analog outputs on separate bracket, 30 cm

* Preliminary product information